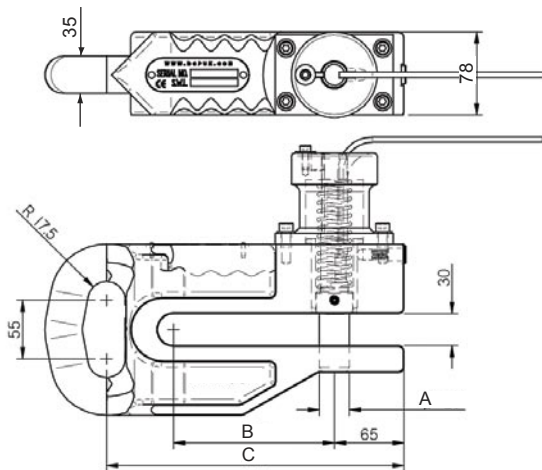
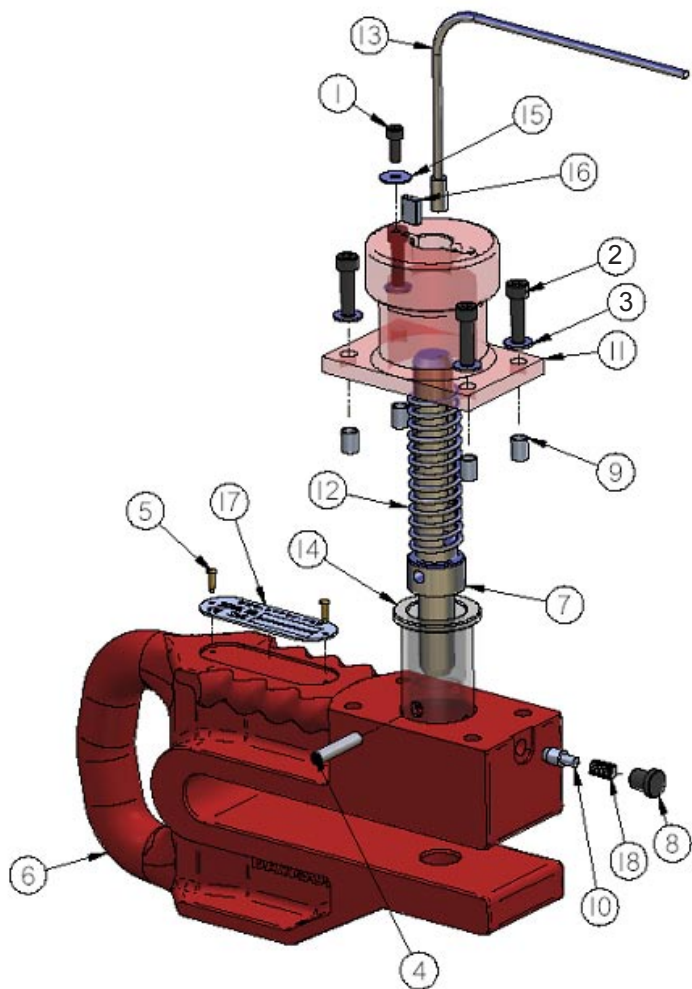




DAWSON
CONSTRUCTION PLANT LTD



	DRAWING No.				
	5983	5984	5985	5986	5987
WEIGHT KG	17.5	17.5	17.5	21.5	21.5
A	Ø22	Ø28	Ø35	Ø28	Ø35
B	150	150	150	250	250
C	277	277	277	377	377





DAWSON
CONSTRUCTION PLANT LTD

PARTS LIST

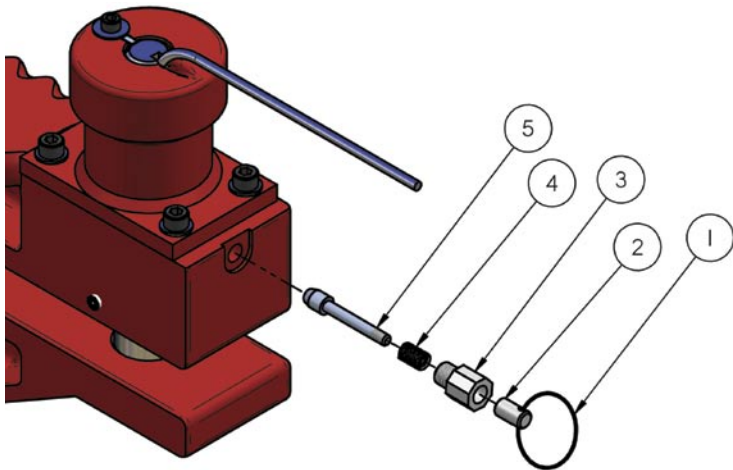
Item No.	Quantity	Part Name	5983	5984	5985	5986	5987	
1	1	Socket Head Cap Screw	0M06.016.02					
2	4	Socket Head Cap Screw	0M08-030-02					
3	4	Washer	0M08.000.20					
4	1	Coiled Spring Pin	0M08.040.36					
5	2	No6 x 1/2" Rivet	1-204-00-01					
6	1	EGRS Throat	5903	5904	5905	5906	5907	
7	1	Plunger	5908	5909	5913	5909	5913	
8	1	M12 X 1.5 Plug	5915					
9	4	Dowel Bushing	5916					
10	1	Detent Pin	5919					
11	1	Tube Assembly	5922A-B					
12	1	Compression Spring	5926					
13	1	Safety Pull Wire Assy	5930A					
14	1	Sleeve	5931					
15	1	M6 x Ø19 Washer	5936					
16	1	Guide Key	5937					
17	1	Shackle ID Plate	5938					
18	1	Compression Spring	6935					

GENERAL ASSEMBLY



DAWSON
CONSTRUCTION PLANT LTD

PARTS LIST



5	1	Detent Pin			5919-01
4	1	Detent Spring			6935
3	1	Nut			5953
2	1	Cap			5952
1	1	Split Ring			0m38Splitring
Ref. No	Qty.	Part Name	Material	Dimension	Remark

OPTIONAL REMOTE RELEASE
DETENT KIT 5919-01A
GENERAL ASSEMBLY

DRAWING No. GRS-017 ISSA